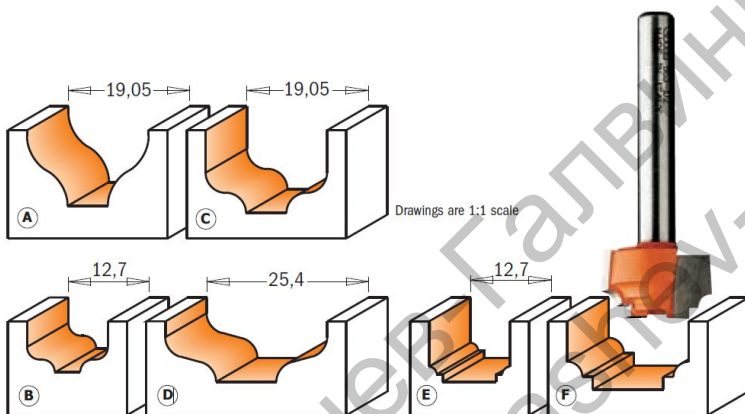
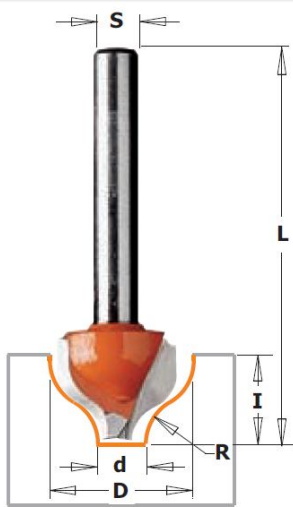


Decorative ogee router bits

SERIES: 7/8/965.101/102



This new CMT bit produces a classic single or double edged bead. Ideal for creating a marked decorative effect on panel, door and drawer work.



Tungsten carbide tipped



Two HW cutting edges



Right-hand rotation

D mm	d mm	R mm	I mm	L mm	Profile	ORDER NO. S=Ø6mm	ORDER NO. S=Ø6,35mm	ORDER NO. S=Ø8mm	ORDER NO. S=Ø12mm	ORDER NO. S=Ø12,7mm
19	6,35	6,4	11	50,8	A	765.001.11	865.001.11	965.001.11	965.501.11	865.501.11
12,7	4	2	8	51	B		865.002.11	965.002.11		
19	6,35	3,2	13	68	C				965.503.11	865.503.11
25,4	9,5	3,2	9,5	49	D				965.504.11	865.504.11
12,7	8,4	1,2	12,7	50,8	E	765.101.11	865.101.11	965.101.11		
19	11,1	2,4	11	50,8	F	765.102.11	865.102.11	965.102.11		

Ташев-Галвинг ООД
www.tashev-galving.com